

Figure 1 - SP Pro Single Phase AC Wiring Layout with External AC Source Contactor and 2 Workers

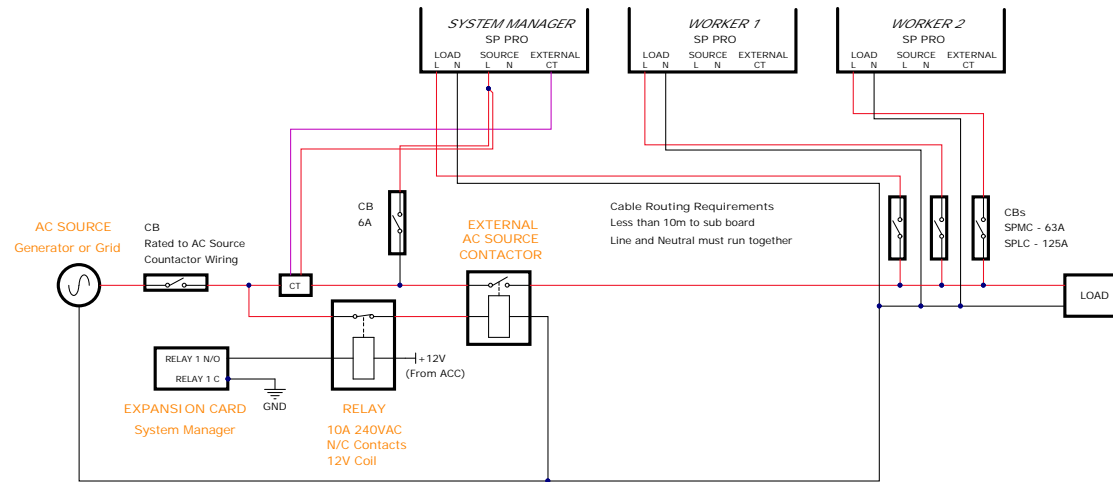
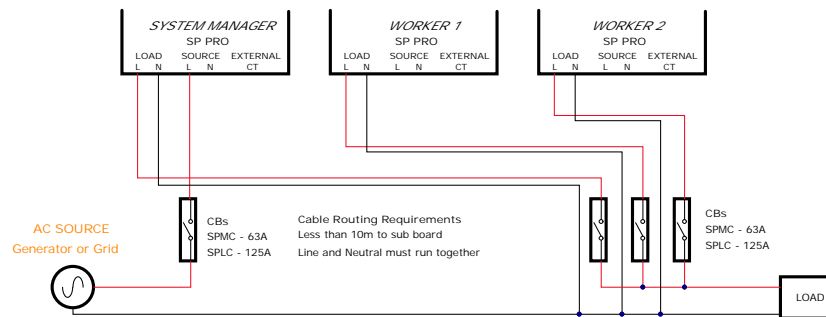
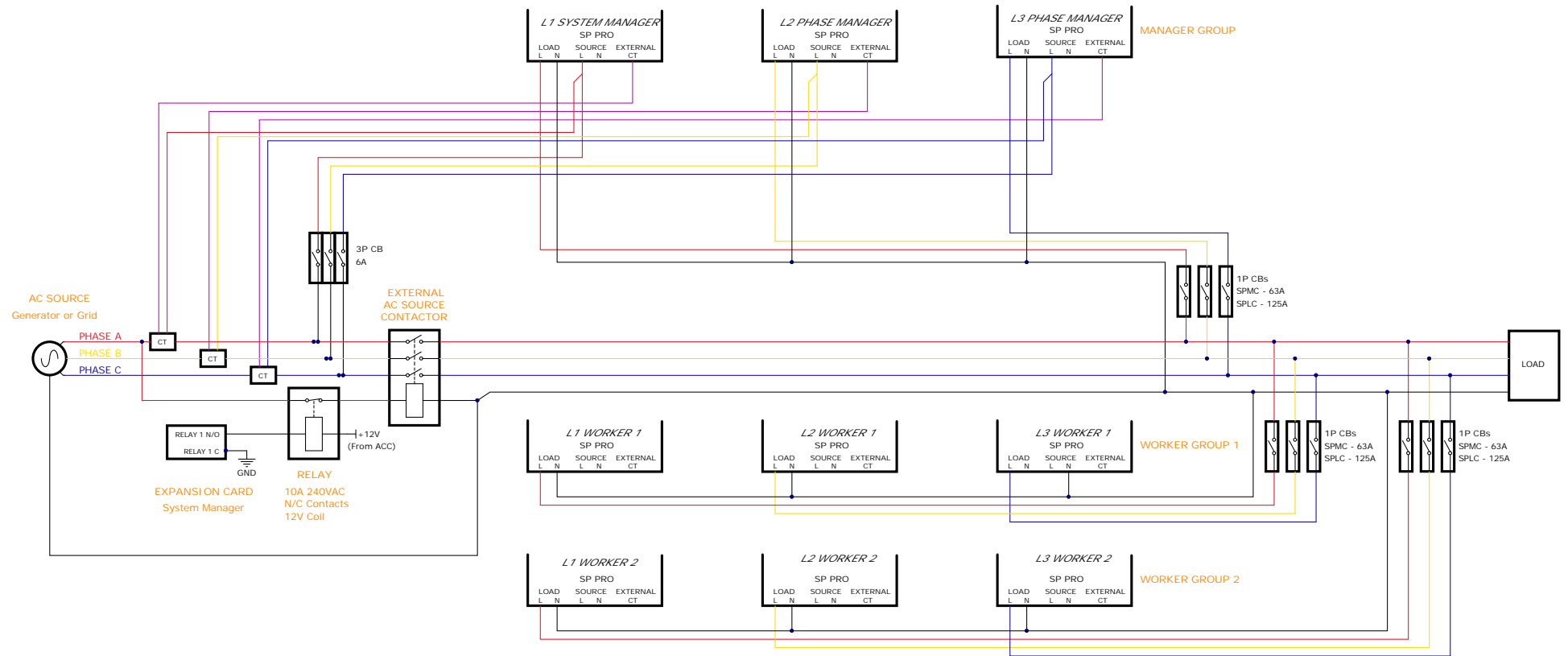


Figure 2 - SP PRO Single Phase AC Wiring Layout with 2 Workers



Title			
SP PRO Powerchain Wiring Diagram			
Size	Number	Revision	
c	Prepared for IN0057	2	
Date:	7/15/2020	Sheet 1 of 3	
File:	112R&D_1ph_2W_SchDoc	Drawn By:	Pat Graham

Figure 3 - SP Pro Three Phase AC Wiring Layout with External AC Source Contactor and 2 Workers Per Phase



Title				SP PRO Powerchain Wiring Diagram	
Size	Number	Prepared for IN0057		Revision	2
Date:	7/15/2020	Sheet 2 of 3			
File:	112R&D_3ph_2W_SchDoc	Drawn By: Pat Graham			

Figure 4 - SP PRO Main DC Wiring Layout Showing 9 Units

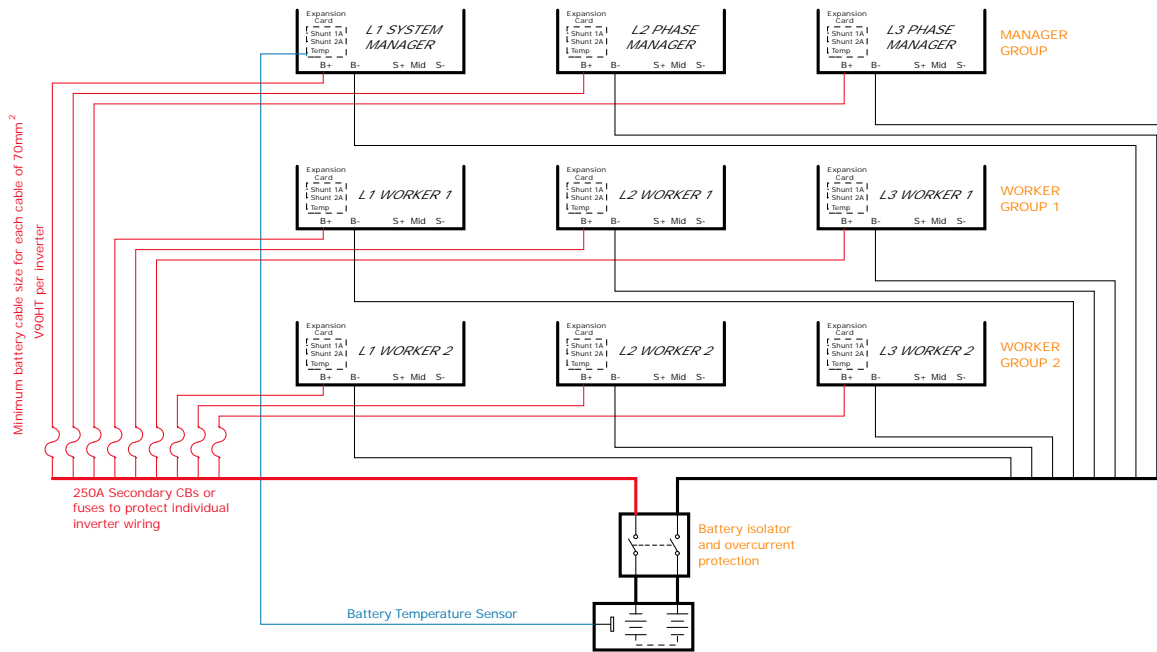
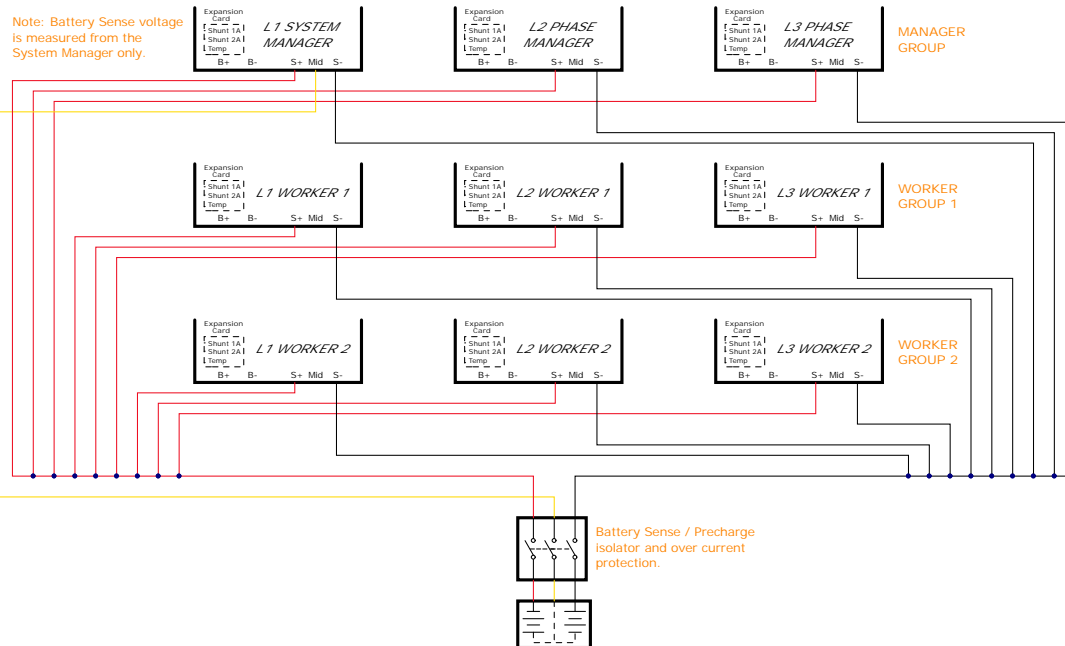


Figure 5 - SP PRO Precharge & Midpoint Wiring Layout Showing 9 Units



Title			
SP PRO Powerchain Wiring Diagram			
Size	Number	Prepared for	Revision
C		IN0057	2
Date:	7/05/2020	Sheet	3 of 3
File:	U3R&D_DC_Wiring_SchDoc	Drawn By:	Pat Graham